



## **WLTwin77 Twin Aviation Obstruction Light**

---

### **Data Sheet**

Rev: 1.0

## **Description:**

The ICAO compliant type B WLTwin77 Dual aviation obstruction light is suitable for marking of high rise structures. These structures can be Steel Towers (such as Telecoms and GSM), Smokestacks, Buildings and any other potentially hazardous obstructions to air traffic with a steady burning red safety light.



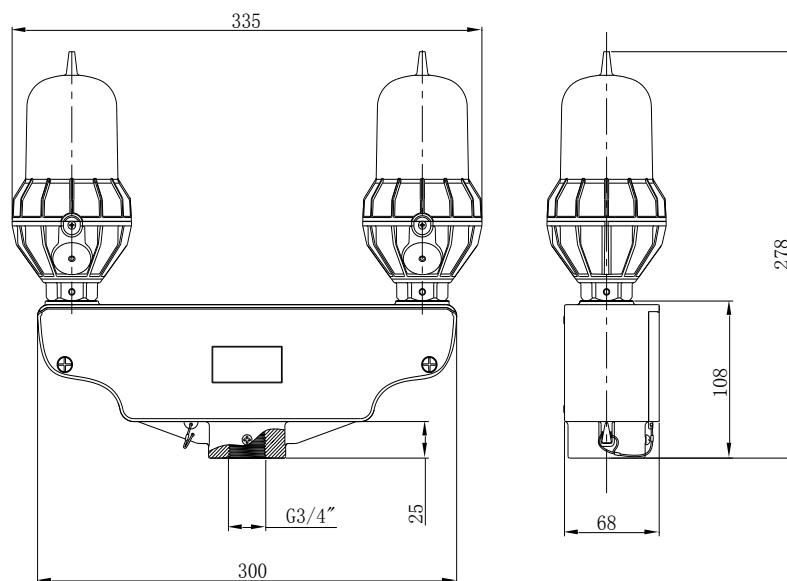
## **Main functions and features:**

- Based on LED technology
- Aviation red type
- Built-in protective circuit, extremely Reliable — Major Maintenance Cost Saving
- Excellent heat dissipation
- No RF- radiations, EMC Compliant
- Light fitting material - Die cast aluminum with yellow powder coated finish, preventing corrosion
- Lamp housing - Resistant to Shock and Vibrations, good intensity and thermal stability and good finishing surface, UV stable
- Mounting hardware – Threaded G3/4" pole required, available from Delta sales.
- Self-contained wiring compartment—eliminates additional junction boxes
- Integrated change-over facility for Duty and Stand-by configuration
- Sealed construction, providing waterproof and dustproof, can withstand the most severe environments
- Earth grounding provisions provided

**Specifications**

Standard	ICAO(Aerodromes Annex 14) and FAA-L810	Vertical degree	≥10°
Light source	High luminance LED	Horizontal degree	360°
Light color	red ( other color can be customized )	Flashing rate	30FPM/40FPM/60FPM/ steady burning can be adjusted
Operating voltage	AC110-240V/DC48V/DC12V	Flashing duration	150±20ms
Power consumption	4W	LED lifetime	≥100,000h
Intensity	≥50cd	Photocell on/off level	500±50Lux
Operating temperature	-40°C ~ +70°C	IP protection	IP65
Relative humidity	10% ~ 95% (no condensing )	Weight	2.2kg
Material	Body : aluminum alloy Housing : PC		

**Dimension**



## **Installation and Operation**

1. Check whether the supply voltage complies with the rated voltage of the lamps.
2. Secure the light on the top of the tower or buildings using G3/4" pole and locking screw.
3. Open the wiring compartment and terminate according to layout below and close front cover with screws.
4. Please note the earth terminal should be connected with the light fitting enclosure.

**Note: Please use this product strictly on accordance with the instruction above.**

Delta Obstruction Lighting Ltd.  
Delta House  
Wrigley Street  
Oldham  
OL4 1SL  
U.K  
Tel:0044 (0) 161 7854940  
Fax:0044 (0) 161 7854941